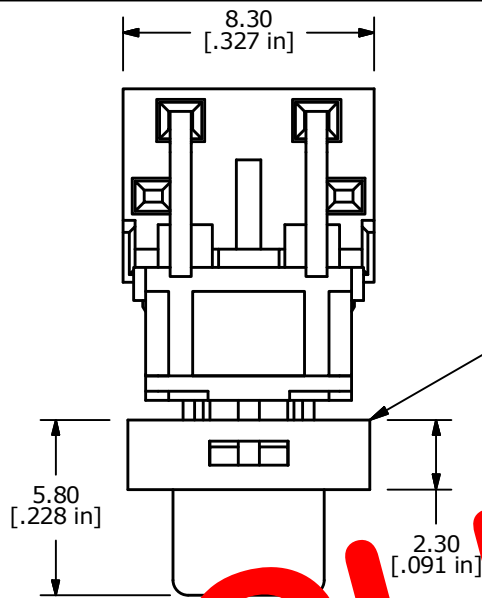
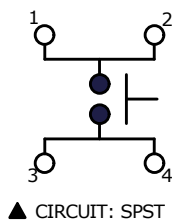
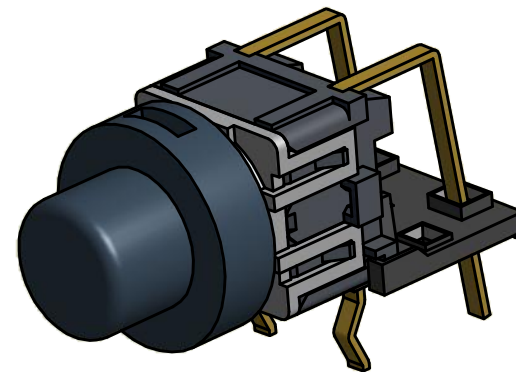


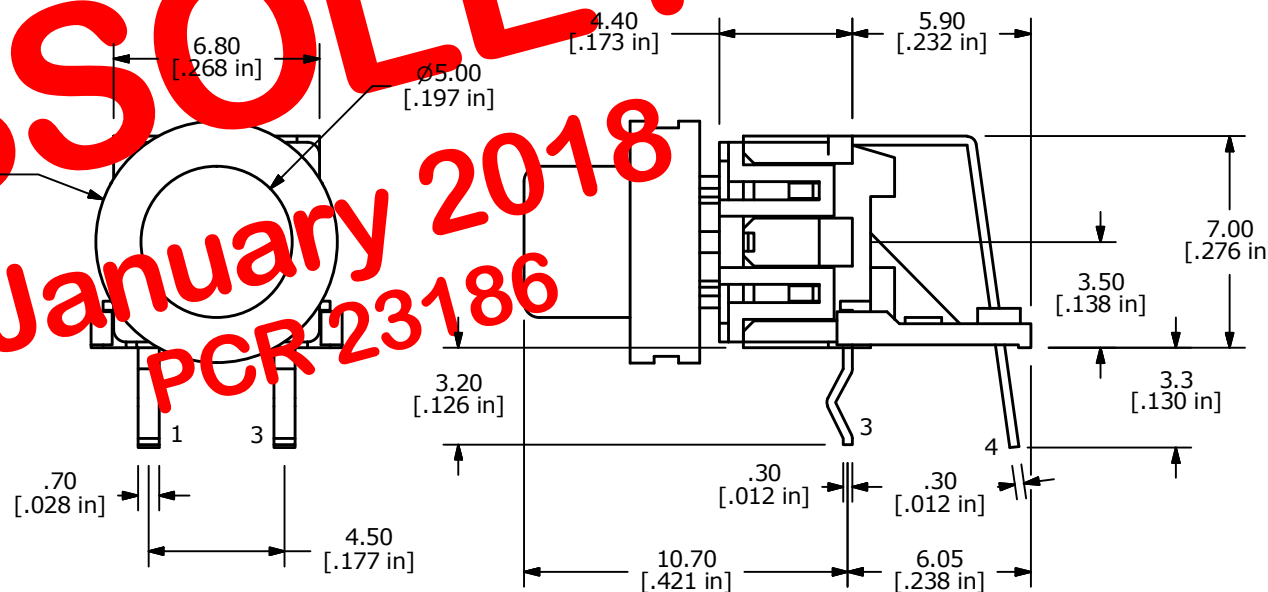
P.C.B LAYOUT



▲ CAP MATERIAL TO BE BLACK POLYCARBONATE



OBSOLETE
 January 2018
 PCR 23186



NOTES:

1. ALL DIMENSIONS IN MM [INCH]
2. GENERAL TOLERANCE: X.X=±0.4
X.XX=±0.25
3. RATING: 50mA @ 12VDC
4. CONTACT RESISTANCE: 100mΩ MAX.
5. INSULATION RESISTANCE: 100MΩ MIN.
6. OPERATING FORCE: 280 ± 70gf
7. TRAVEL: 0.2 ± 0.1mm
8. OPERATING TEMPERATURE: -20°C TO 70°C
9. OPERATING LIFE: 50,000 CYCLES
- ▲10. LED: NONE
- ▲11. CONTACTS: SILVER.
12. ▲ DENOTES CRITICAL PARAMETERS
13. 2011/65/EU (ROHS) COMPLIANT
14. PARTS TO BE PACKAGED IN TRAYS,
100 PIECES PER TRAY.



A	21205	INITIAL RELEASE	8/20/13	EBP
REV	PCR NO	DESCRIPTION	DATE	BY

TITLE TL1250F280AQRBLK				
SCALE	DATE	DR	DWG	REV
4:1	8/20/2013	EBP	P010856	A

THE INFORMATION CONTAINED IN THIS DOCUMENT IS PROPRIETARY TO E-SWITCH AND IS NOT TO BE COPIED OR TRANSFERRED